



ISO 9001:2000

MOLDED AIR FILTERS

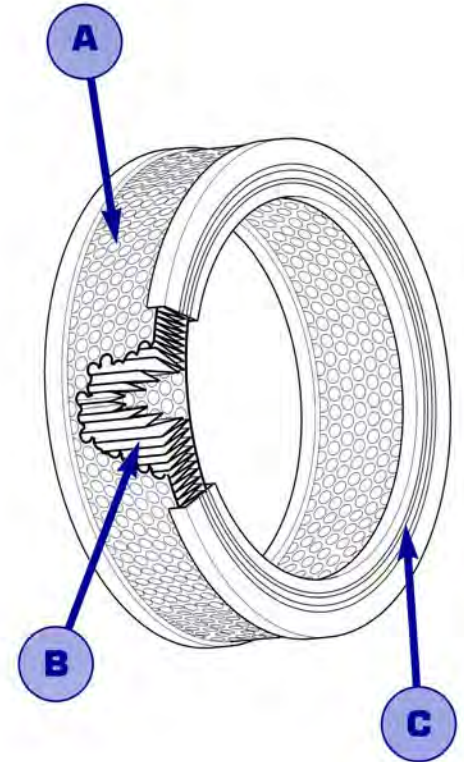
MOLDED AIR FILTERS

Filtration Systems has a complete line of molded air filters for small engines and generators, as well as larger engine air-intake filters with metal end caps.

These filters are made with a vinyl material known as “plastisol,” which bonds the pleated paper media. They also have soft rubber gaskets, to seal the filter in its housing.

The cellulosic paper media meets or exceeds the OEM performance specifications.

The pleat pack is protected with either a perforated metal, expanded metal or woven wire mesh screen outer wrap.



Panel Filter Detail

- A** Perforated metal, expanded metal or woven wire mesh outer wraps provide strength and protection.
- B** Filter media is resin-impregnated pleated paper, heat-cured for added strength.
- C** Molded or stamped metal end caps bond the filter and have integral gaskets.

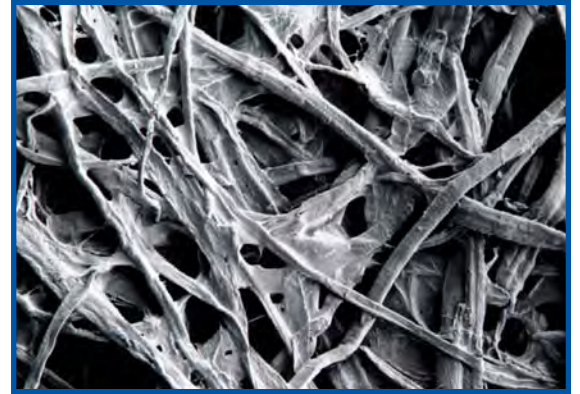


Filtration Systems' Computer Controlled Pleaters make consistent high-quality products

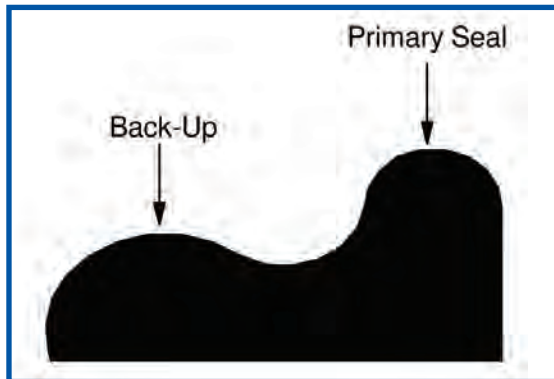
CELLULOSIC MEDIA

Filtration Systems' air filters use various grades of cellulosic paper media, made from wood fibers and bonded with polymeric resins for added strength and washability.

These media provide high dirt holding capacity, high efficiency, low restriction to flow and low cost.



Filter Media (500x)



REDUNDANT SEAL

The majority of these products feature molded ends made from a soft, durable rubber compound. These molded ends have integral gaskets, with a large primary sealing surface and a back-up seal (with a slightly lower profile) to protect the engine in the event of leakage at the primary seal.

ELEMENT CONFIGURATIONS



Metal End Caps



Cylindrical



Oval



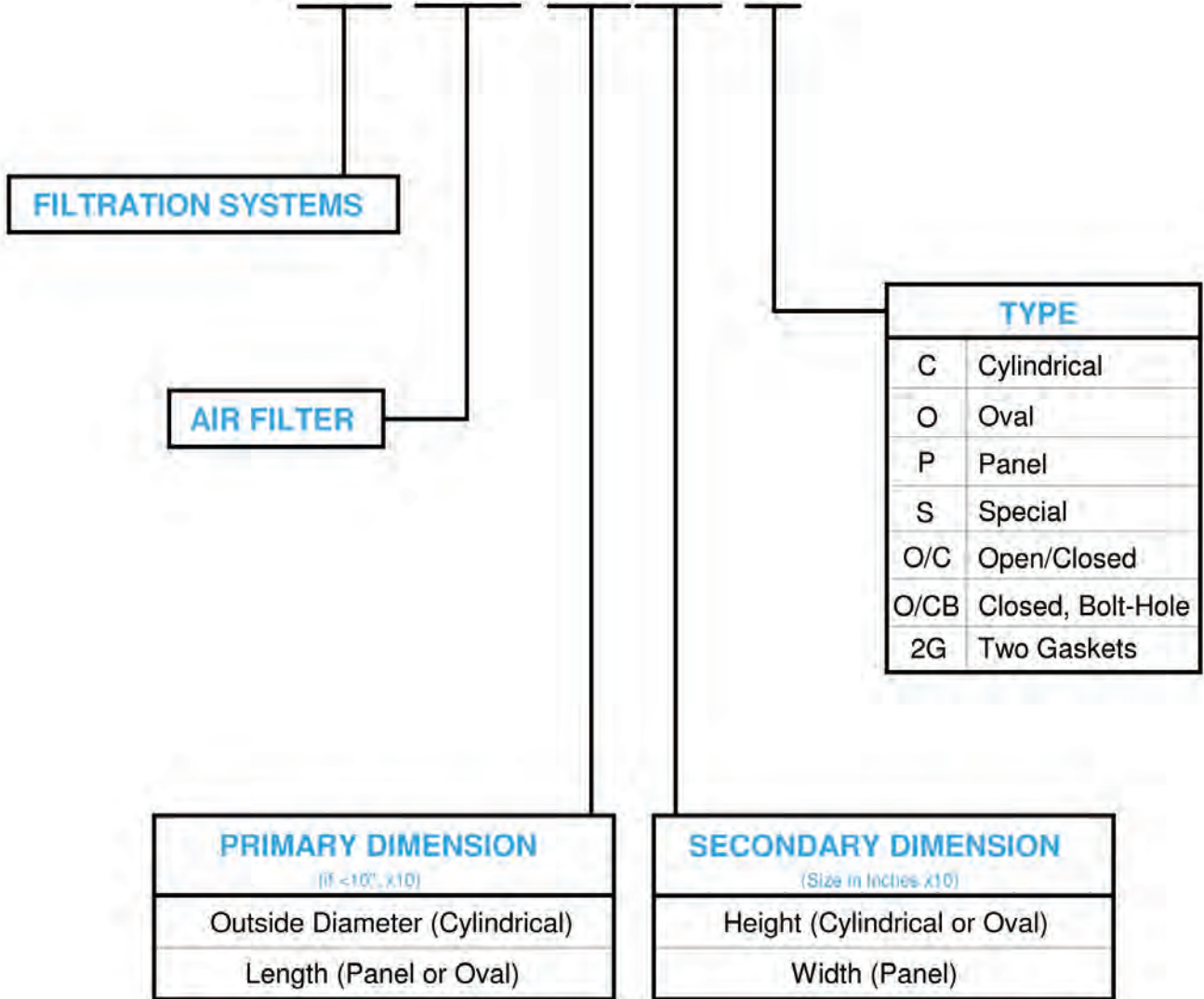
Panel



Specials

Nomenclature Chart:

FS-AF-3929-C



ISO 9001:2000

LOCAL DISTRIBUTOR:



W229 N591 Foster Court • Waukesha, WI 53186
 Phone: 262.548.6210 • FAX: 262.548.6239

Visit our website at www.filtersys.com or
 email us at sales@filtersys.com

Tradenames are for reference only.
 Filtration Systems reserves the right to alter
 any published data without notice.

PRINTED IN USA