

# AIR FILTER

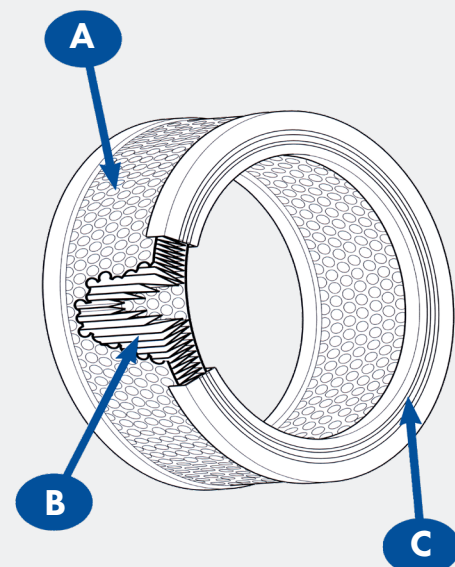
Filtration Systems has a complete line of molded air filters for small engines and generators, as well as larger engine air-in-take filters with metal end caps.



These filters are made with a vinyl material known as “plastisol”, which bonds the pleated paper media preventing bypass. They also have soft rubber gaskets to seal the filter in its housing.

The cellulose paper media meets or exceeds the OEM performance specifications. The pleat pack is protected with either a perforated metal, expanded metal or woven wire mesh screen outer wrap.

- A** Perforated metal, expanded metal or woven wire mesh outer wraps provide strength and protection.
- B** Filter media is resin-impregnated pleated paper, heat-cured for added strength. Flame retardant can also be added for safety and peace of mind.
- C** Molded or stamped metal end caps bond the filter and have integral gaskets.



# PART NUMBER CHART

(Example part number - other options available)

## AF-3929-C

