



DEPTH FILTER ELEMENTS

Filtration Systems' patented "Swirl Flow" technology is a breakthrough in depth filter design, providing exceptionally long life, high efficiency and low restriction to flow.

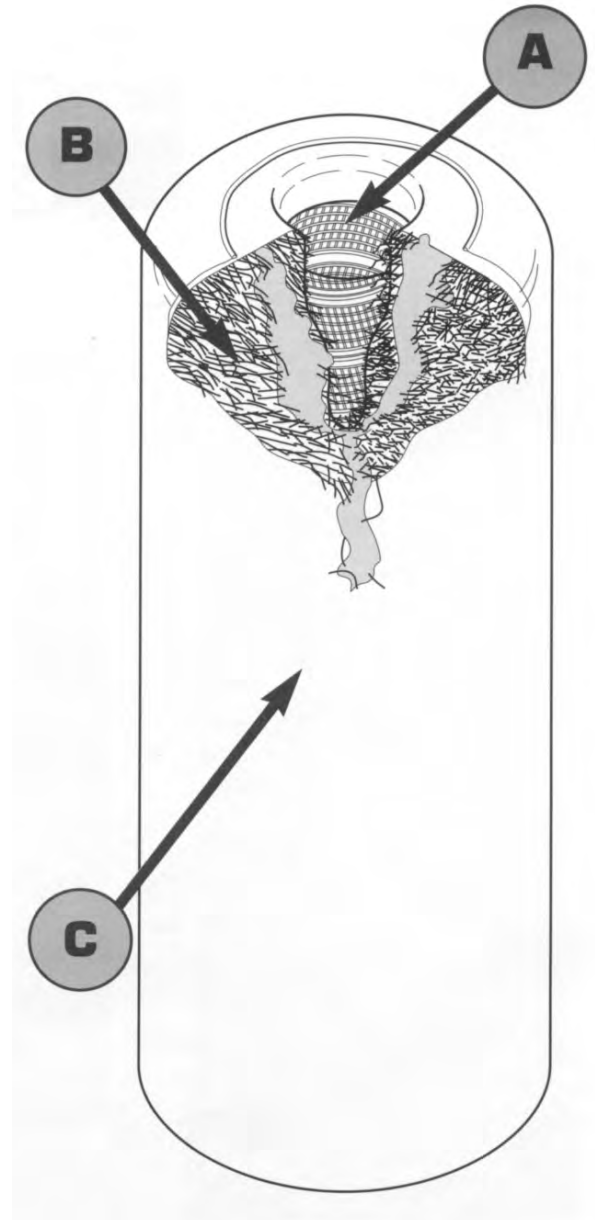
Depth filters have excellent temperature and fluid compatibility and are used in numerous gas processing, large engine and compressor applications. We manufacture thousands of depth filter elements every day with highly automated equipment for consistent product quality and unsurpassed value.



Cotton's fine fiber diameter and oliophyllic properties make it an ideal medium for hydrocarbon filtration. We use only natural cotton fibers (not textile waste) in our products.



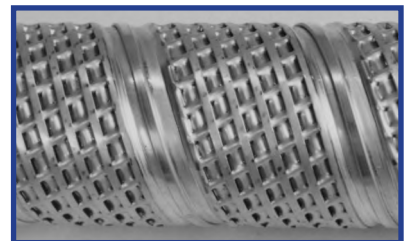
Wood absorbs water and acids (extending lube oil drain intervals) and improves the filter's flow characteristics. Our wood is grown and processed here in Wisconsin for excellent cost control.



A Spiral lockseamed center tubes have high collapse strength and good flow characteristics. Made in-house for improved availability and cost control.

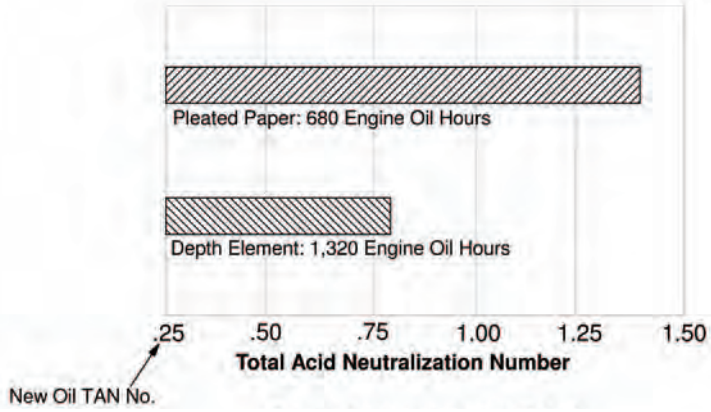
B Media is blended in-house and rolled with automated tensioning devices for a wide range of micron efficiency ratings.

C Cotton or acrylic outer socks provide broad fluid compatibilities. Knitted in-house for consistent quality.



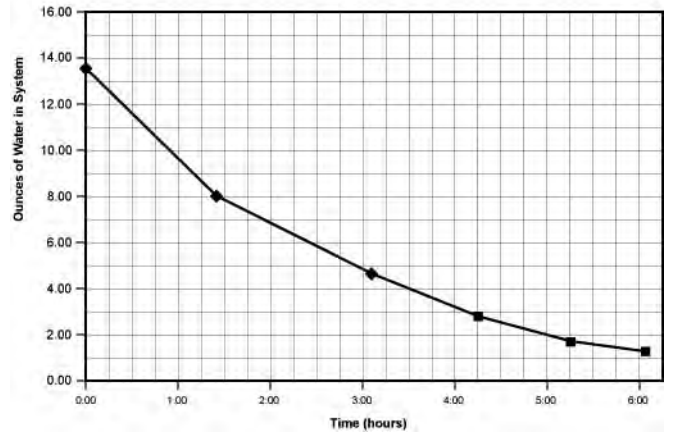
High-strength center tube

Acid Control



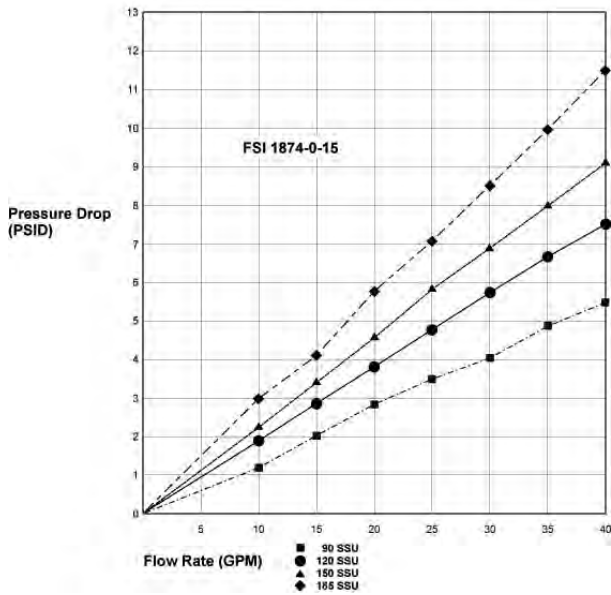
Depth elements extend oil drain intervals by reducing acidification

Water Removal

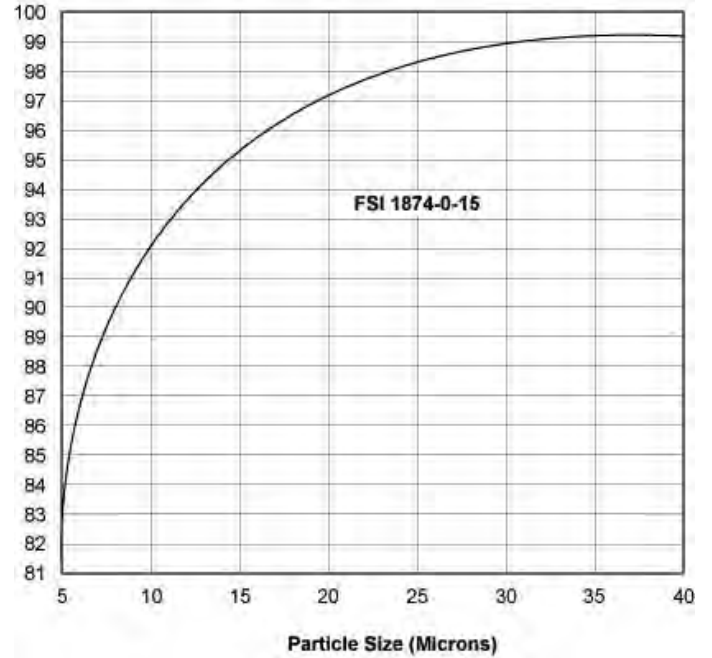


Depth elements remove water from oil, reducing acid, varnish and sludge formation

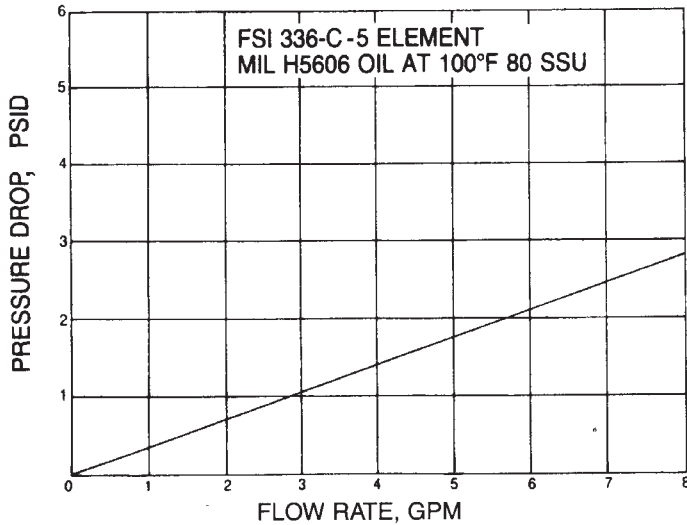
Resistance to Flow



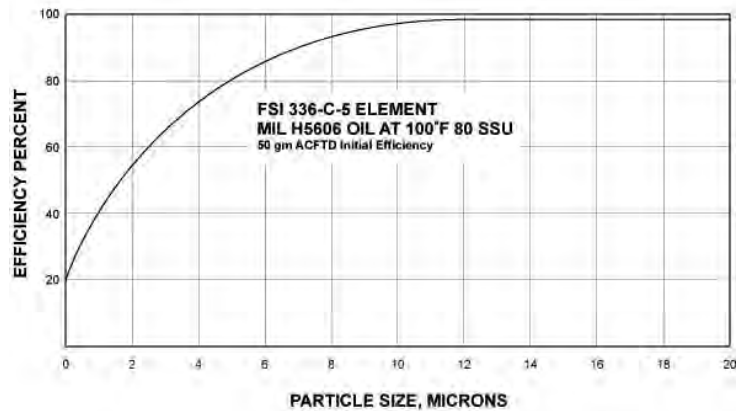
Initial Efficiency



Resistance to Flow

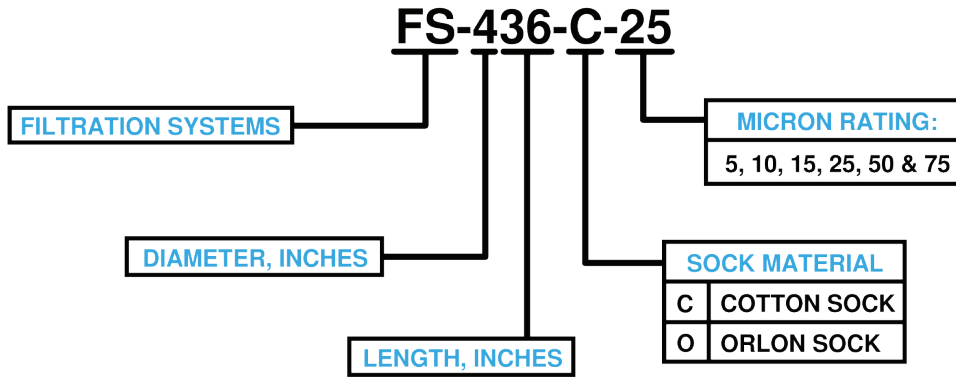


Initial Efficiency

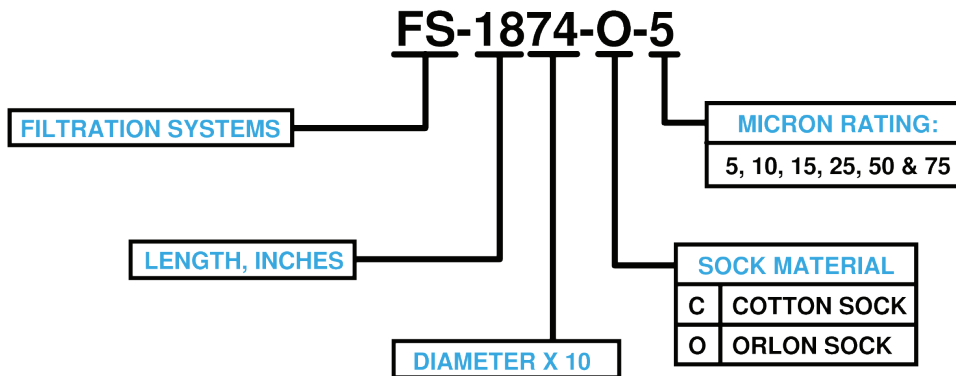


NOMENCLATURE CHART

Three Digit:



Four Digit:



ISO 9001:2000



LOCAL DISTRIBUTOR:

W229 N591 Foster Court • Waukesha, WI 53186
Phone: 262.548.6210 • FAX: 262.548.6239

Visit our website at www.filtersys.com or
email us at sales@filtersys.com

Tradenames are for reference only.
Filtration Systems reserves the right to alter
any published data without notice.

PRINTED IN USA